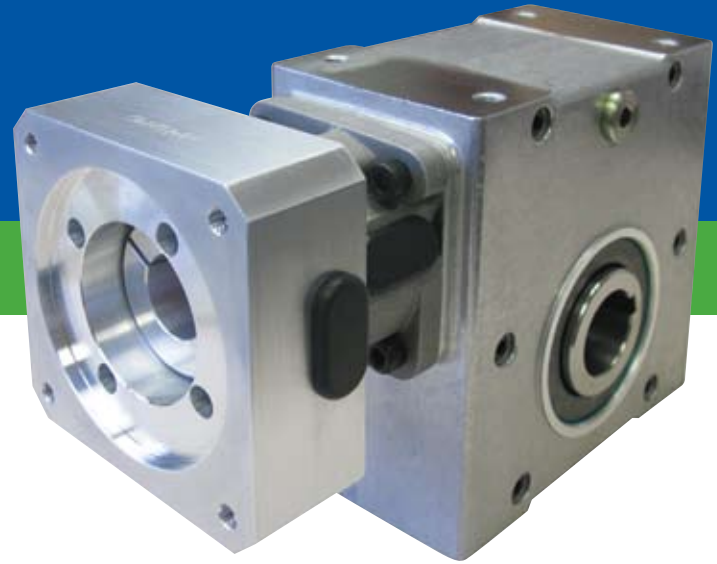




The new Series S *from Cone Drive*

Announcing the ultimate in servo speed reducer flexibility for the packaging industry



Now there's an affordable solution that can accommodate any output shaft configuration you need — hollow, solid, left, right, or double extended — you can even change on the fly!

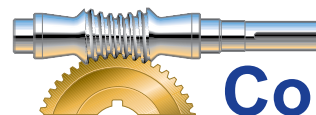


The Series S was designed by our customers, who requested a versatile, value-priced servo drive solution for Category 3 packaging machines. Our integrated backlash-free servo style coupling provides fast, error-free alignment, and the standard hollow output shaft allows you to simply insert a solid shaft for any output configuration your application demands.

But that's not where the benefits end. The Series S has much higher torque capacity than drives of similar size, due to our Conex gear technology. That means your total machine envelope can be smaller, saving you space and money. Plus, the Series S is lubricated for life and maintenance free, and the all-aluminum IP 55 rated housing is ready for wash-down duty. And as with all Cone Drive products, operation is smooth and quiet. It's the ideal drive for general purpose packaging automation.

Whether you are conveying, converting, filling, forming, or packaging, the Series S will deliver versatility, reliability, and value. Visit www.conedrive.com/seriess, or call us at **888.994.2663** for more information.

Series S Sizes	S03	S05	S06	S09	S11					
Series S Ratios	5:1	7.5:1	10:1	15:1	20:1	25:1	30:1	40:1	50:1	60:1
Servo Motor Capacity	Up to 7.5 kW									



Cone Drive™

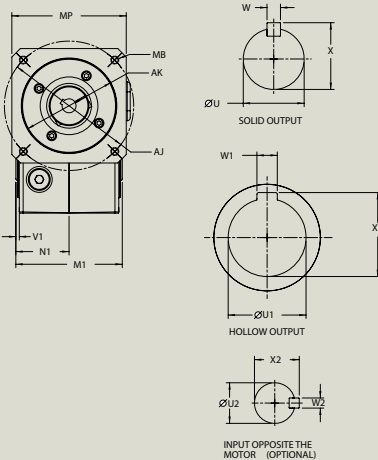
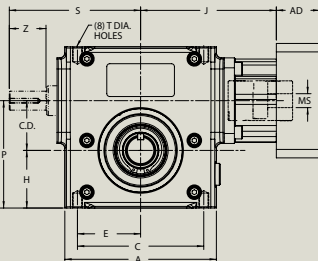
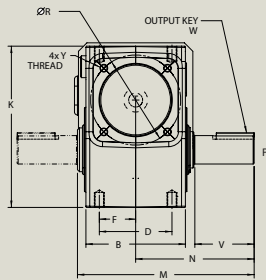
Engineered to Keep You Moving

Series S Servo Reducer

- Lightweight aluminum housing & large output bores
- Versatile mounting options adapt to any design
- Conex gearing for more torque and high efficiency
- Trouble-free servo motor mounting
- Zero backlash coupling
- Reducer Sizes: S03, S05, S06, S09, S11
- Ratios Available: 5, 7.5, 10, 15, 20, 25, 30, 40, 50, 60
- Backlash from 12 to 30 arcminutes
- Speeds up to 4,000 RPM
- Servo Motor capacity up to 7.5 kW

The new Series S from Cone Drive

Announcing the ultimate in servo speed reducer flexibility for the packaging industry



Case Size	C.D.	A	B	C	D	E	F	H	J
S03	1.54	5.23	3.94	4.19	2.75	2.10	1.38	1.91	4.94
S05	1.97	6.00	3.94	5.00	2.88	2.50	1.44	2.28	5.37
S06	2.38	7.00	3.94	5.00	2.88	2.50	1.44	2.50	5.80
S09	3.00	9.00	5.12	7.00	4.00	3.50	2.00	3.25	7.25
S11	3.54	9.50	5.12	7.50	4.00	3.75	2.00	3.39	7.76

Case Size	K	M	M1	N	N1	P	R	S	T Thread
S03	5.35	6.61	4.25	4.31	2.12	3.45	3.56	4.93	M8
S05	6.38	7.00	4.21	4.69	2.11	4.25	3.56	5.20	M10
S06	6.93	7.41	4.25	5.09	2.13	4.88	3.56	5.47	M10
S09	8.88	9.70	5.43	6.75	2.72	6.25	5.01	7.63	M12
S11	9.84	11.34	6.65	7.75	3.33	6.93	5.01	8.35	M16

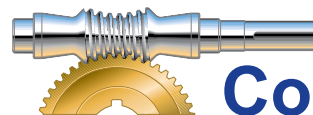
Case Size	V	W	Y	Z	SOLID OUTPUT		HOLLOW OUTPUT SHAFT			
					U (± 0.0005)	X	U1 (± 0.0005)	V1	W1	X1
S03	1.99	3/16 SQ x 1.13	M8	1.48	0.7495	0.828	1.0005	0.08	0.251	1.088
S05	2.39	1/4 SQ x 1.50	M8	1.48	1.1245	1.232	1.4380	0.08	0.376	1.550
S06	2.77	1/4 SQ x 1.88	M8	1.48	1.1245	1.232	1.4380	0.08	0.376	1.550
S09	3.80	3/8 SQ x 2.00	M8	2.69	1.4995	1.658	2.1880	0.08	0.501	2.359
S11	4.15	1/2 SQ x 2.63	M8	2.95	1.8745	2.087	2.9380	0.10	0.751	3.151

Case Size	OPTIONAL INPUT SHAFT			SERVO MOTOR DIMENSIONS					WT (LBS)	
	U2 (± 0.0005)	W2	X2	AD	AJ	AK	MB	MP		MS
S03	0.7495	3/16 SQ x 1.1	0.828	MOTOR PLATE DIMENSIONS ARE MADE TO FIT YOUR SERVO MOTOR.						14
S05	0.7495	3/16 SQ x 1.1	0.828							19
S06	0.7495	3/16 SQ x 1.1	0.828							25
S09	1.1870	1/4 SQ x 2.25	1.296							52
S11	1.1870	1/4 SQ x 2.63	1.296							82

All dimensions shown in inches.

Cone Drive Operations, Inc.
240 E. 12th Street, PO Box 272
Traverse City, MI 49684

888.994.2663 • www.conedrive.com



Cone Drive™

Engineered to Keep You Moving